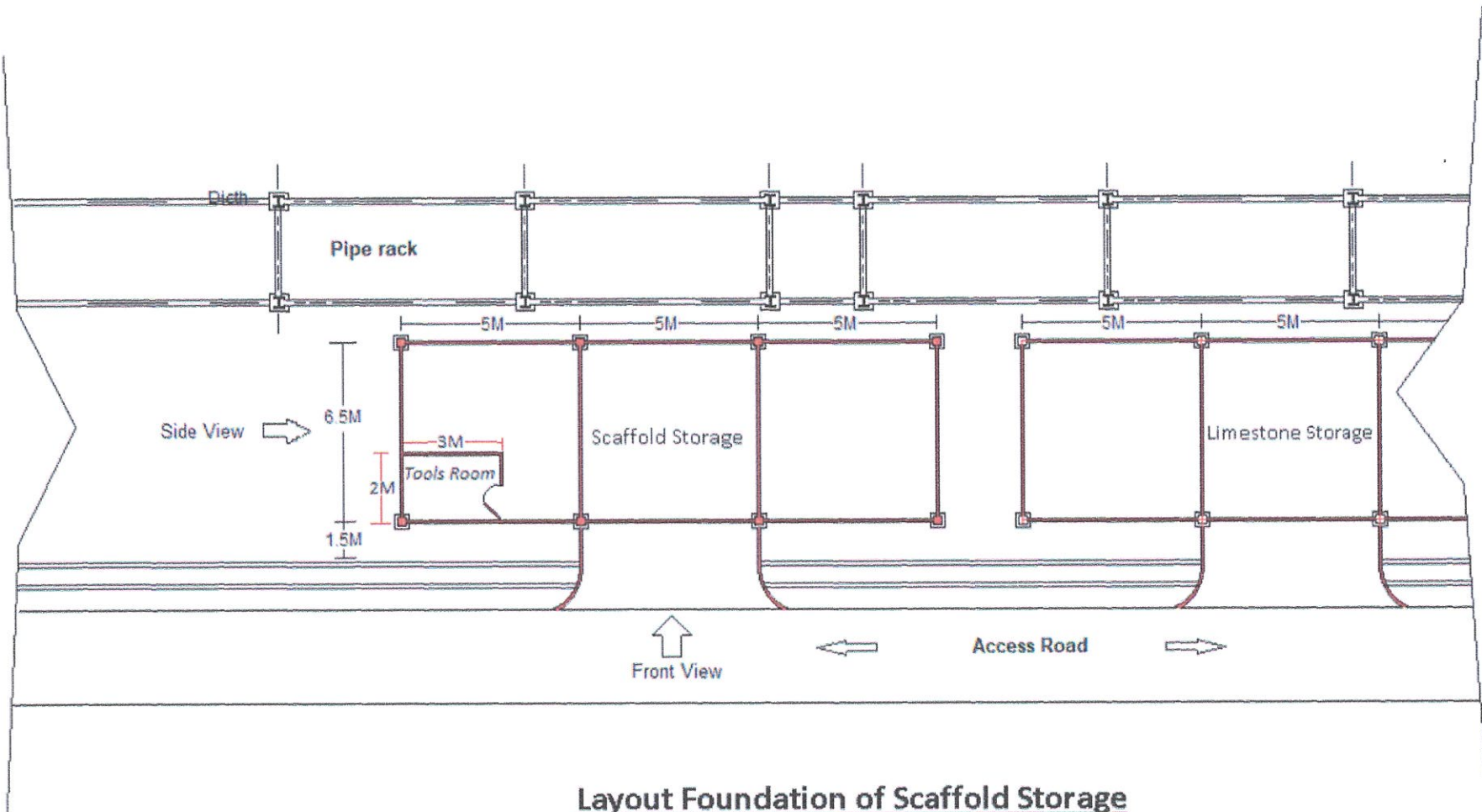
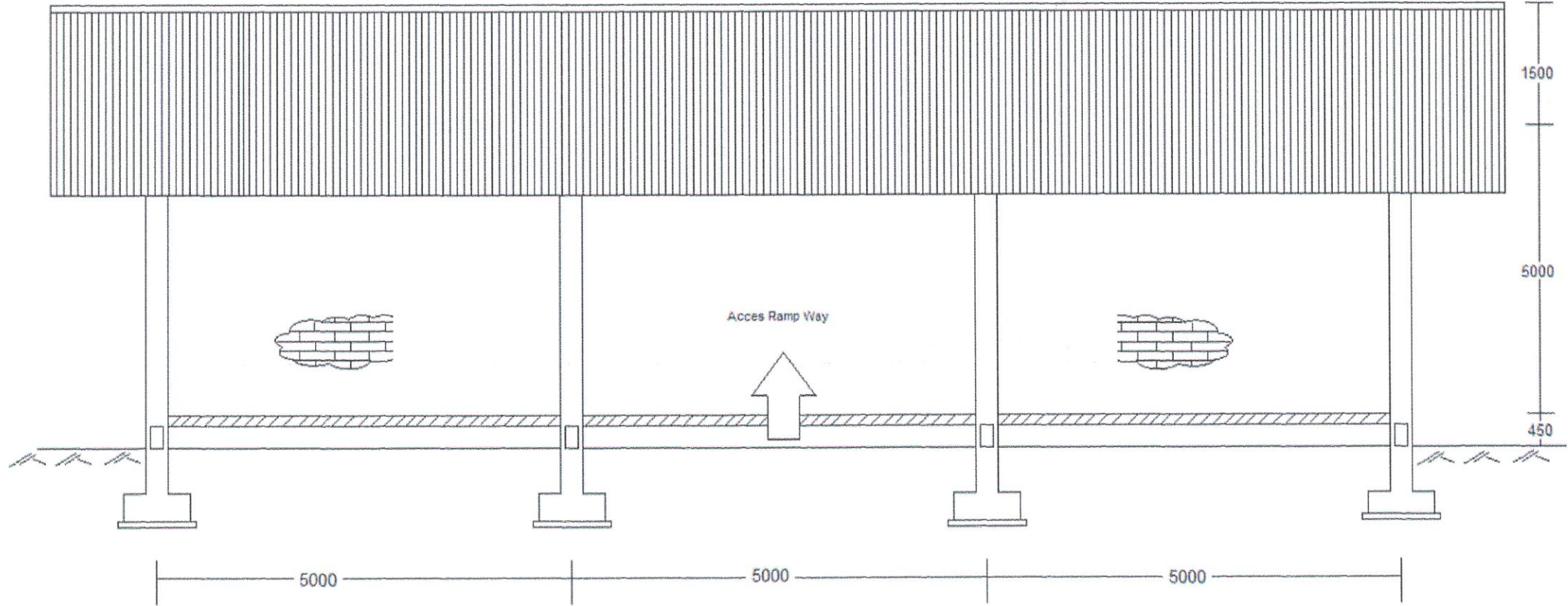


Installation Scaffold Storage

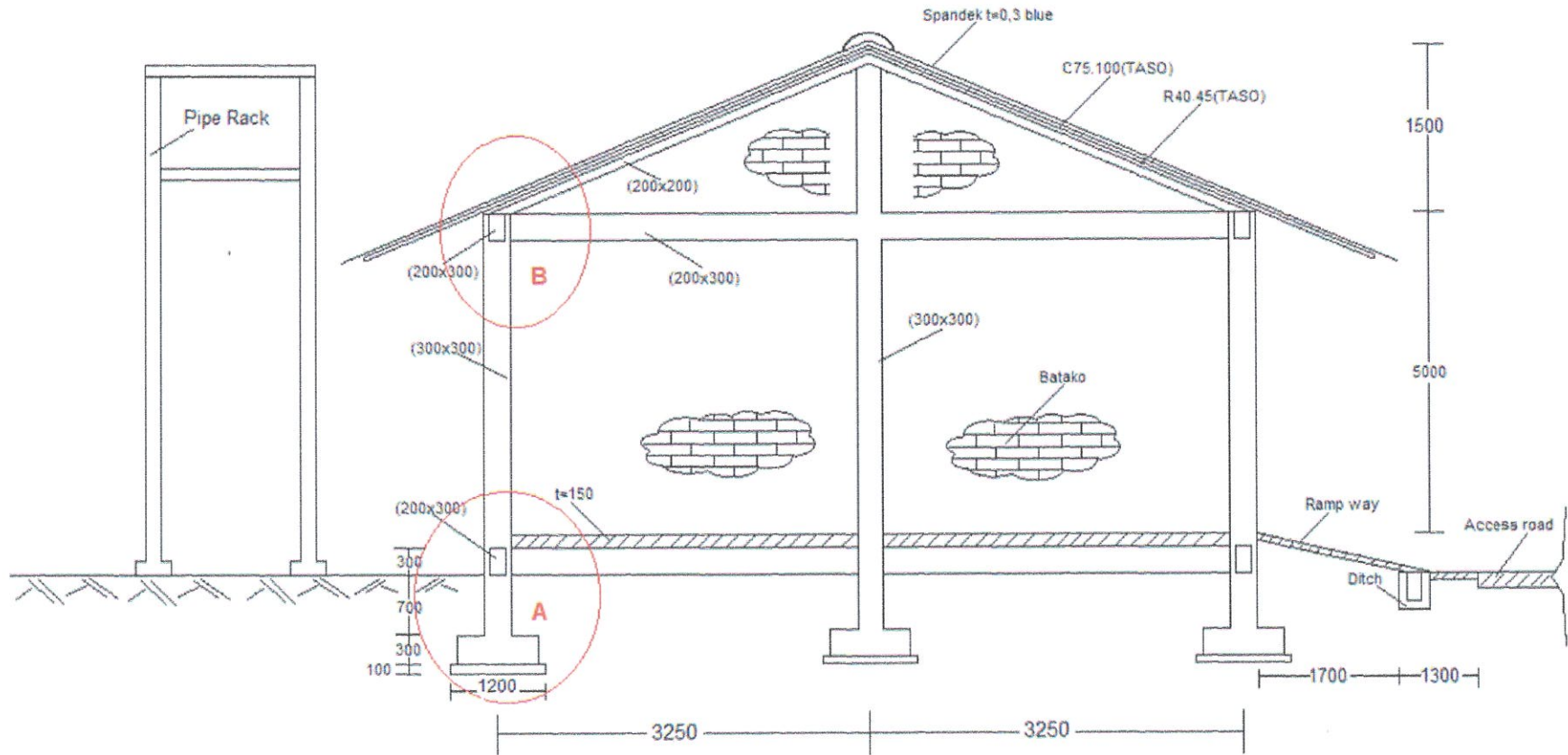


Installation Scaffold Storage



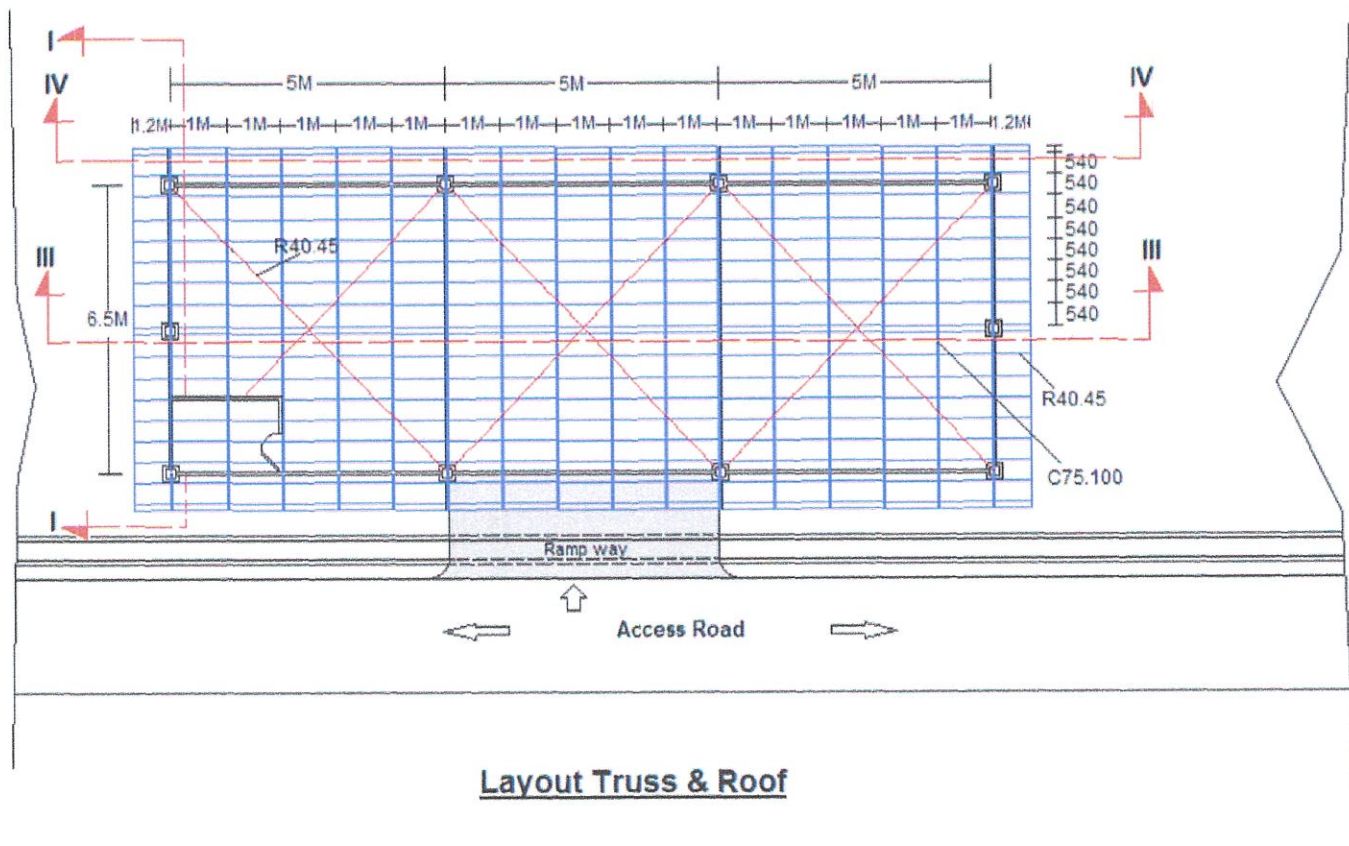
Front View

Installation Scaffold Storage



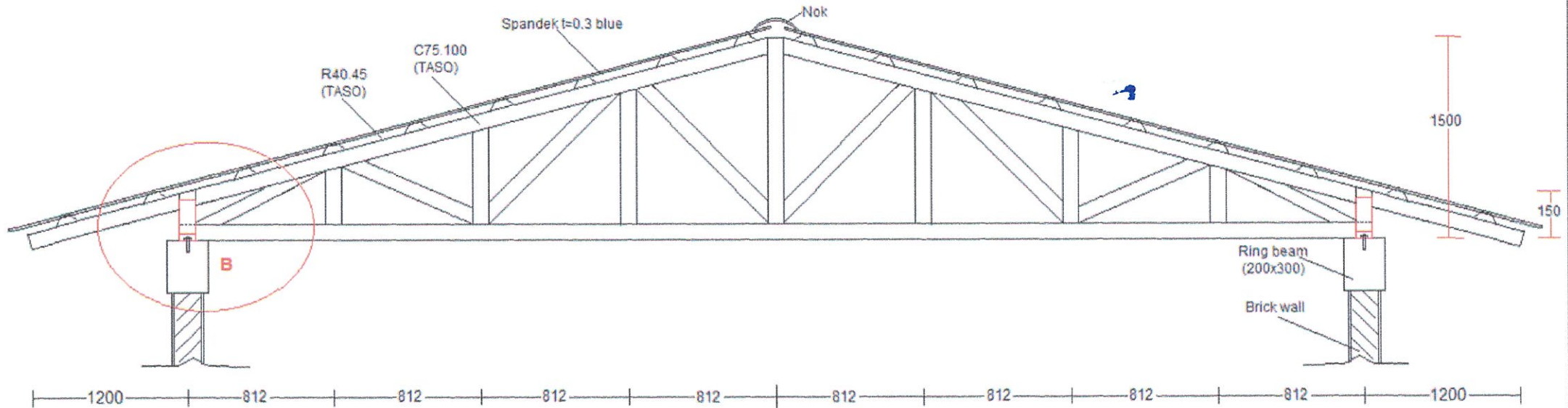
Side View

Installation Scaffold Storage

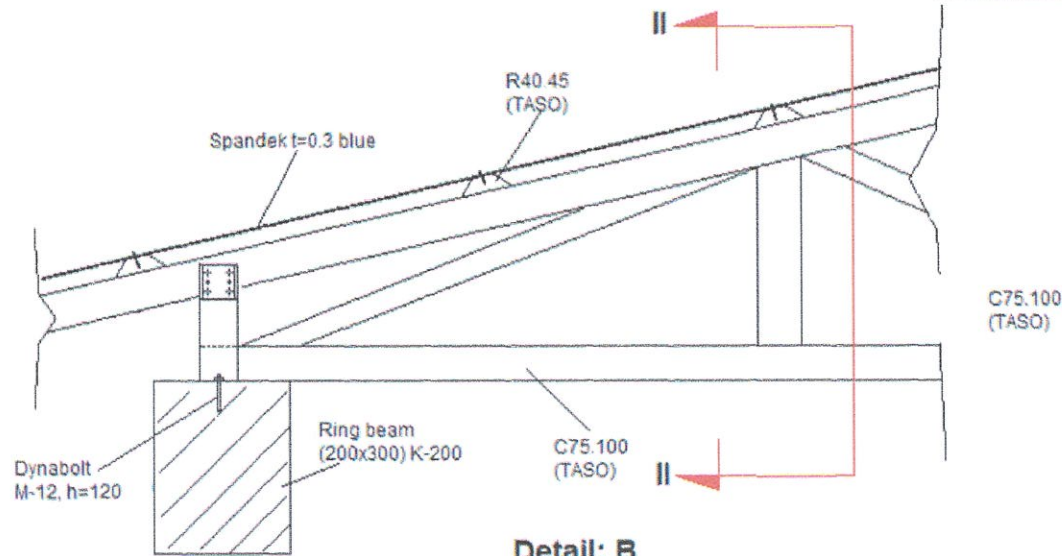


Layout Truss & Roof

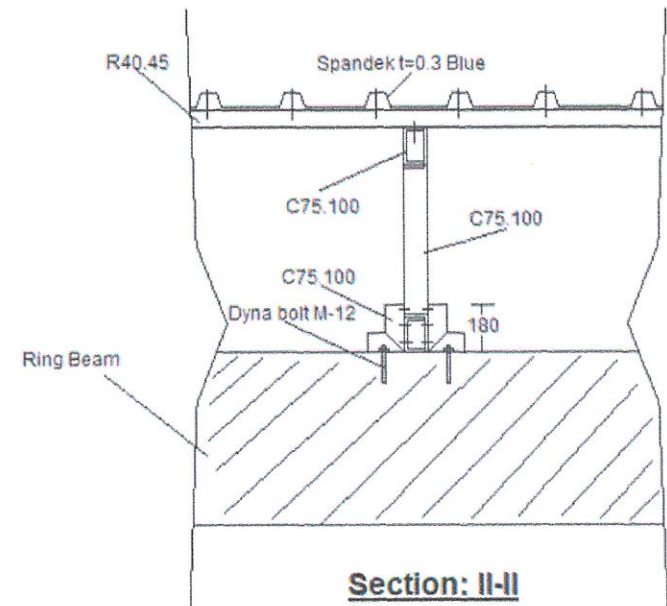
Installation Scaffold Storage



Section: I-I

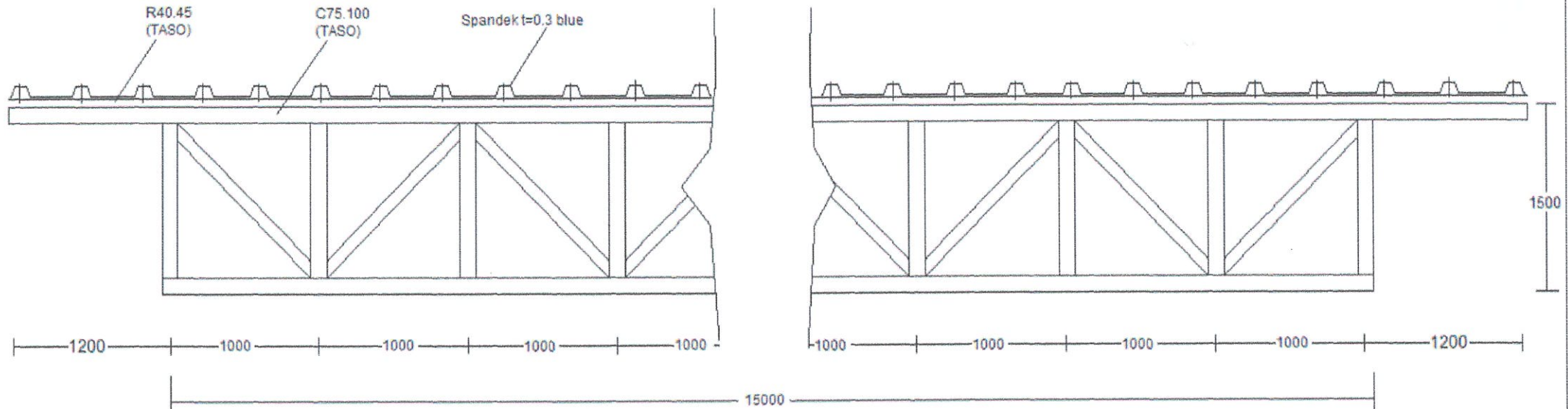


Detail: B

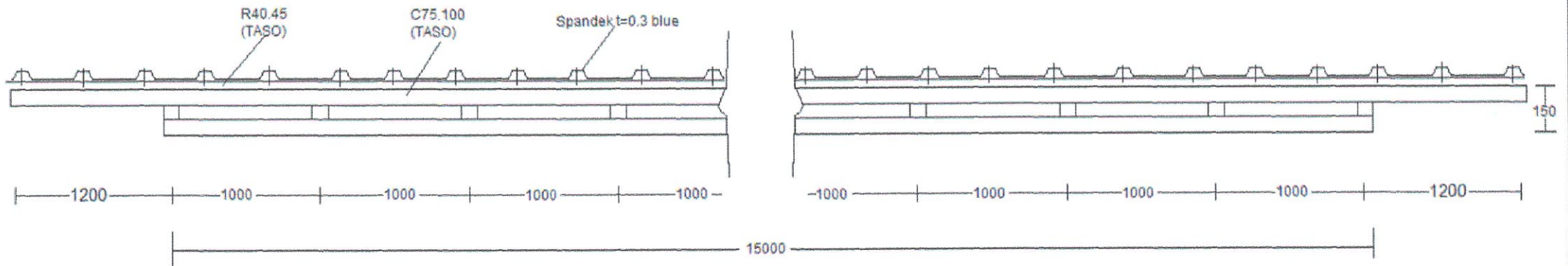


Section: II-II

Installation Scaffold Storage

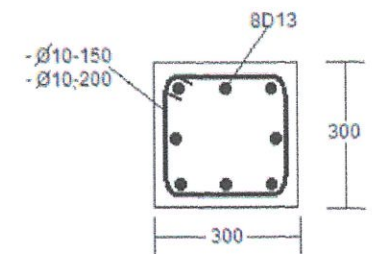
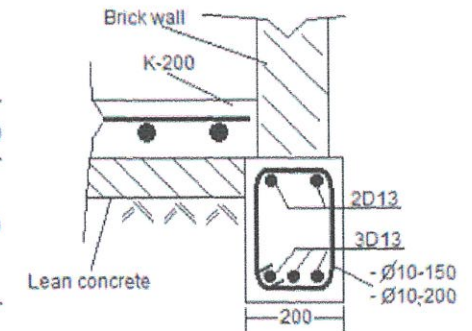
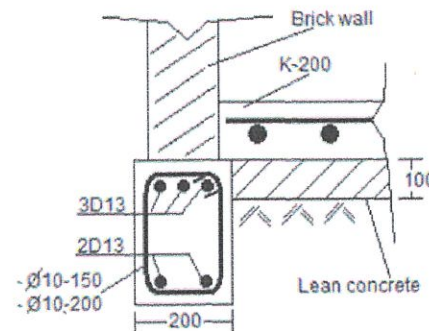
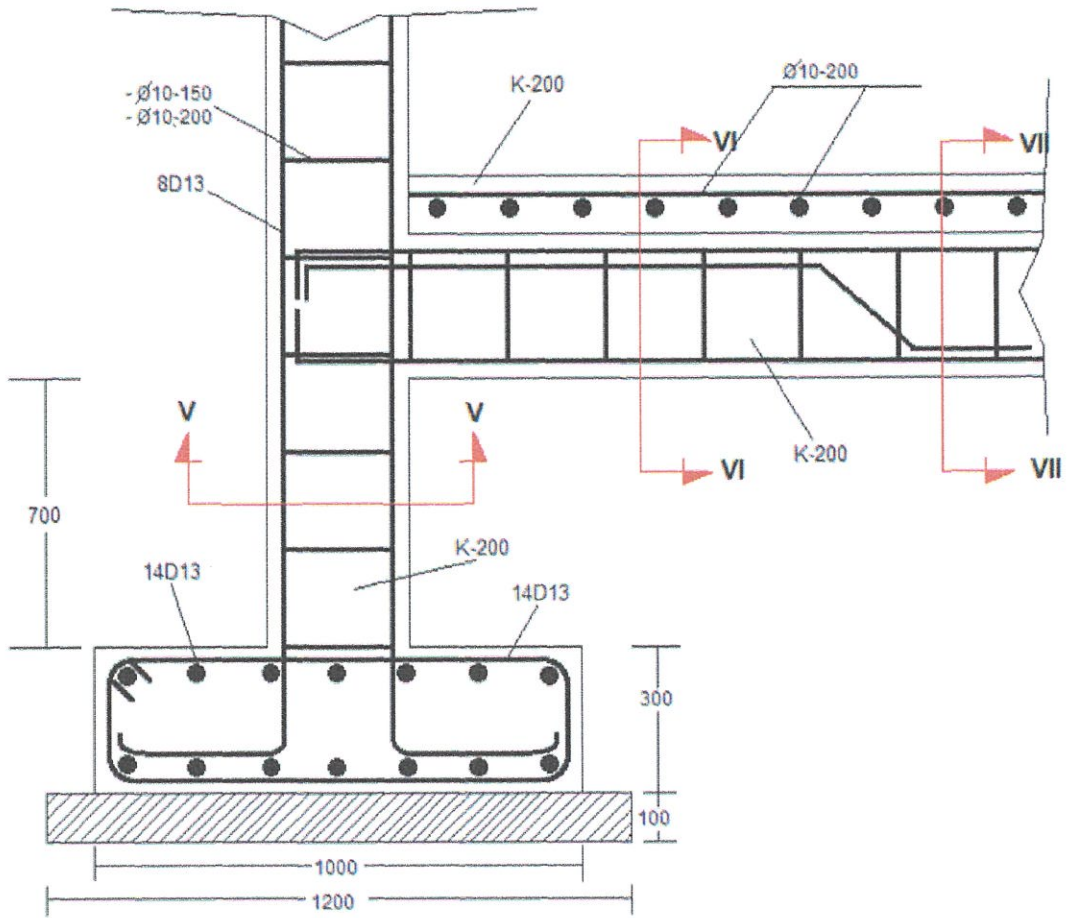


Section: III-III

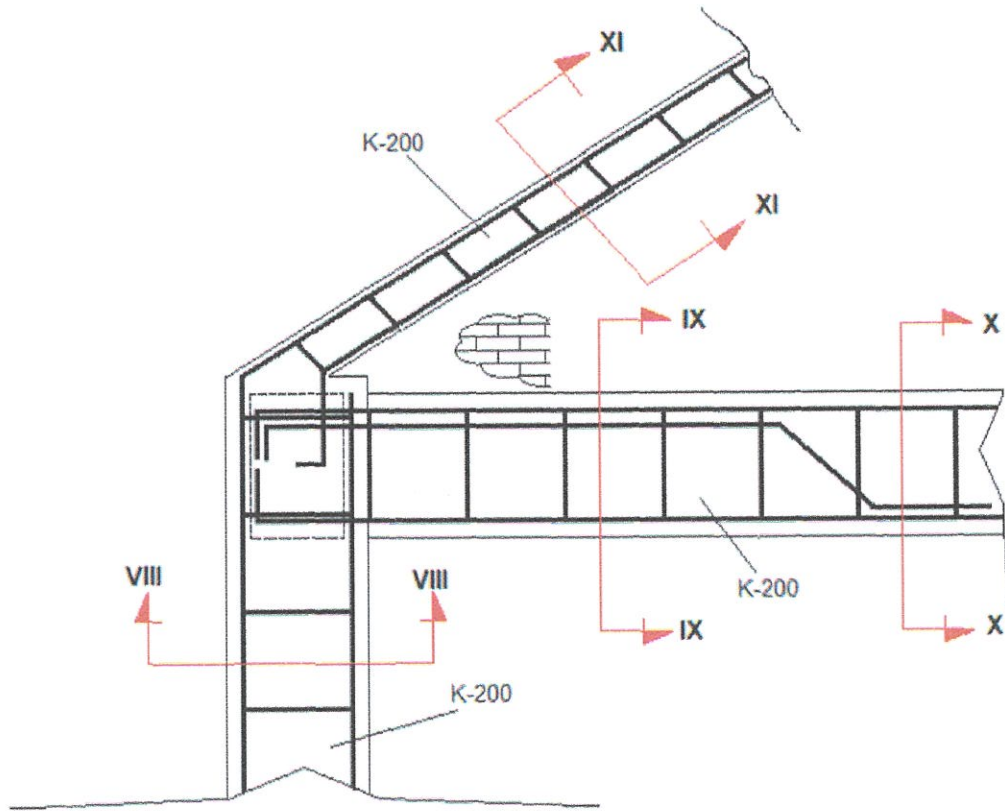


Section: IV-IV

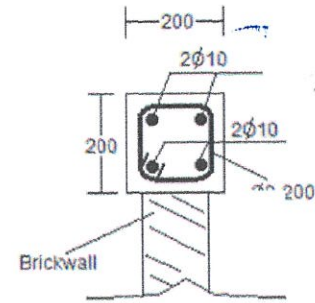
Installation Scaffold Storage



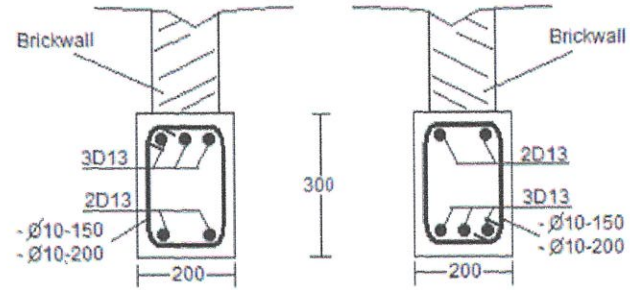
Installation Scaffold Storage



Detail: B

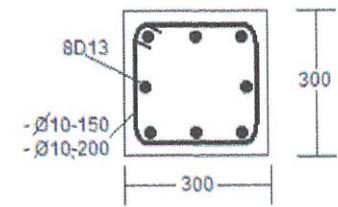


Section: XI-XI



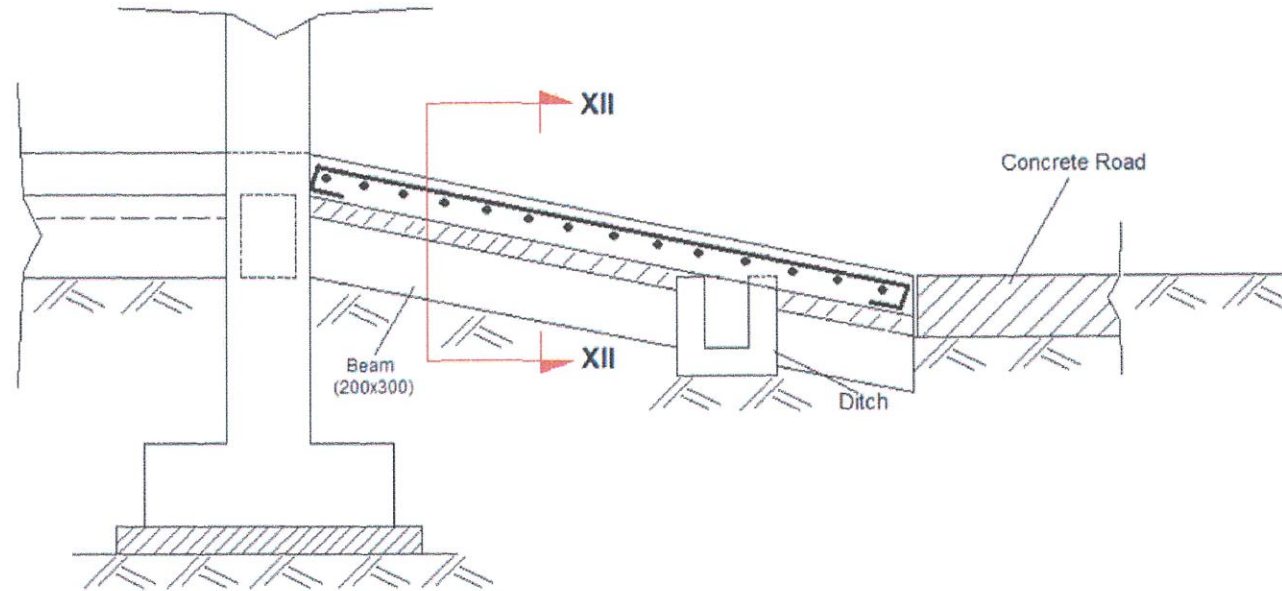
Section: IX-IX

Section: X-X

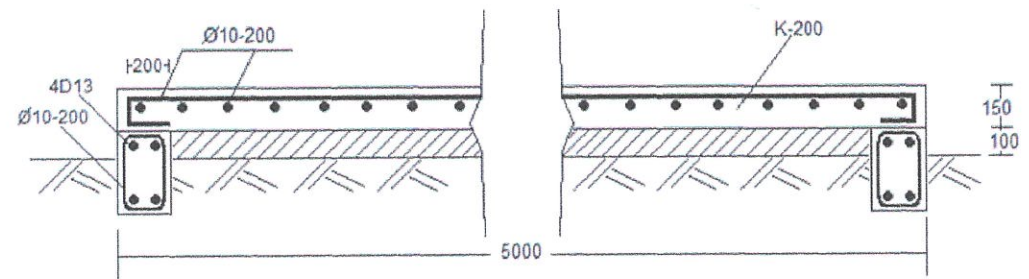
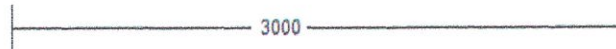


Section: VIII-VIII

Installation Scaffold Storage



Detail: C



Section: XII-XII

